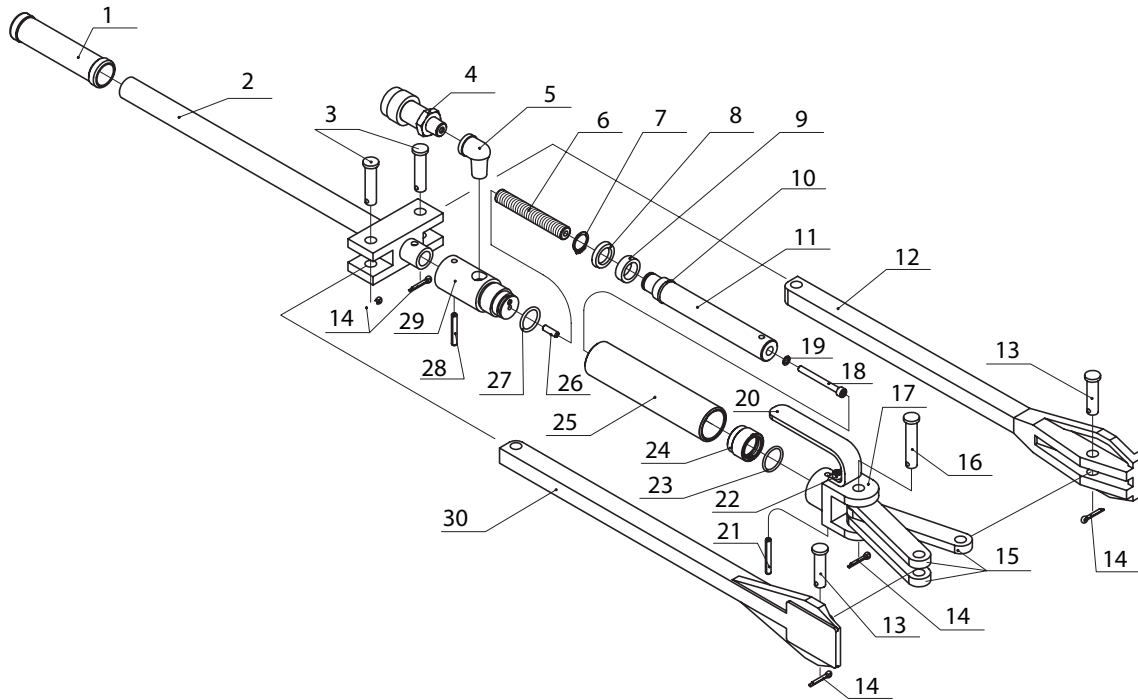


PARTS BREAKDOWN



Part No.	Description	QTY
1	Handle Sleeve	1
2	Handle Assembly	1
3	Pin 12 X 50	2
4	NPT 3/8" Female Coupler	1
5	NPT 3/8" Elbow Joint	1
6	Spring	1
7	Retainer 20	1
8	Y Seal	1
9	Cloth Ring	1
10	Snap Ring	1
11	Piston Ring	1
12	Leg A	1
13	Pin 12 X 45	2
14	Split Pin 4 X 20	5
15	Connection Strip	3

Part No.	Description	QTY
16	Pin 12 X 60	1
17	Joint Assembly	1
18	Screw M6 X 60	1
19	Copper Washer 10 X 6 X 1	1
20	Grip	1
21	Lock Pin 6 X 45	1
22	Screw M6 X 12	2
23	O-Ring 25 X 2.4	1
24	Guide Sleeve	1
25	Cylinder Housing	1
26	Screw M6 X 30	1
27	O-Ring 29 X 3.1	1
28	Lock Pin 6 X 40	1
29	Cylinder Base	1
30	Leg B	1