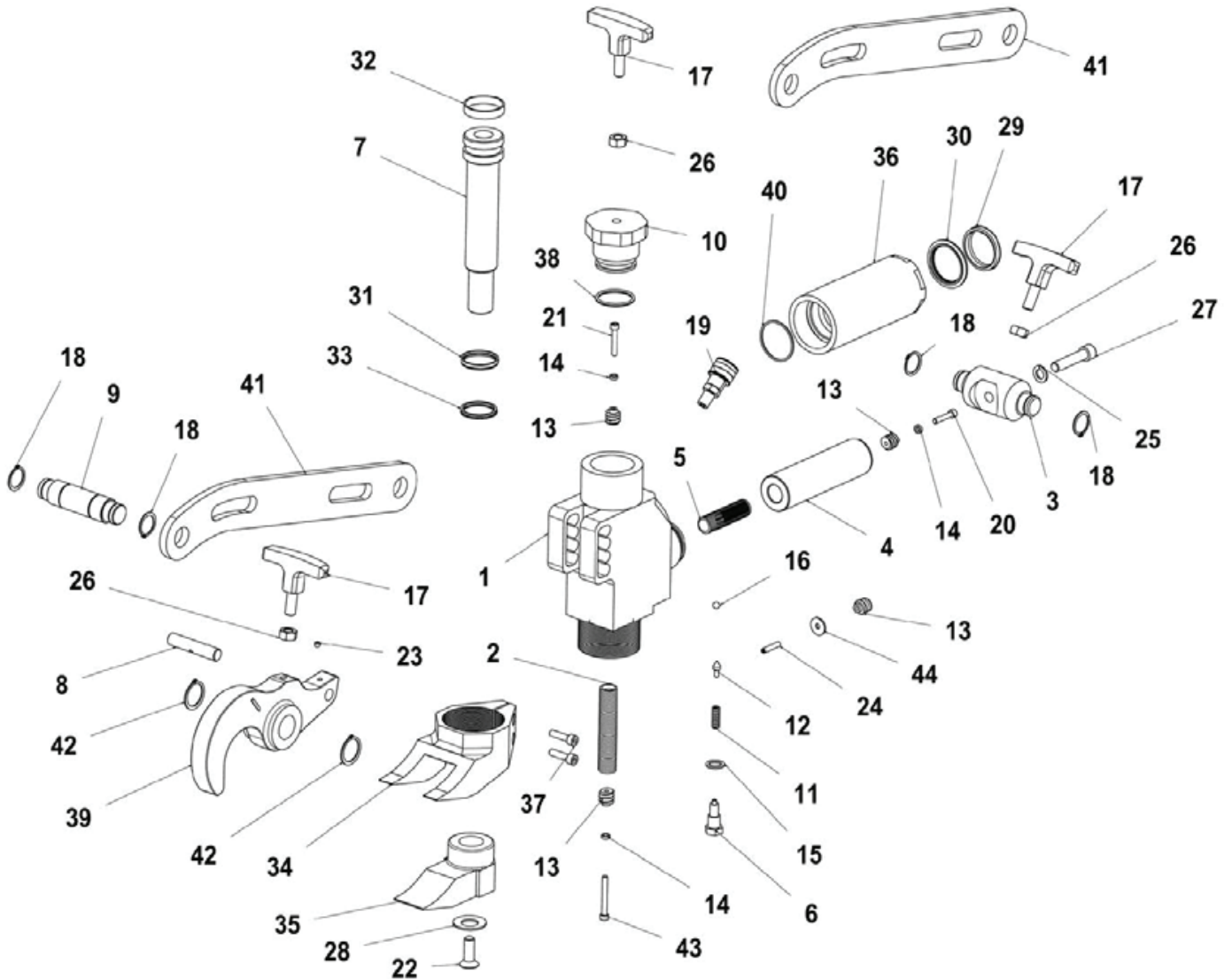




EURO SHORT STYLE ALUMINUM BEAD BREAKER

Model #40804





EURO SHORT STYLE ALUMINUM BEAD BREAKER

Model #40804

Parts List

Part #	Description	Qty
1	Body	1
2	Traction Spring L=108	1
3	Rear Pin	1
4	Stem	1
5	Traction Spring L=74	1
6	Cap	1
7	Piston	1
8	Adjustable Pin	1
9	Coupling Pin	1
10	Screw Cap	1
11	Compression Spring	1
12	Cone	1
13	Retaining Pin	1
14	Copper Washer	1
15	Dowty Washer	1
16	Sphere	1
17	Knob	1
18	Elastic Ring	4
19	Quick Coupling	1
20	Cylindrical Screw	1
21	Cylindrical Screw	1

Part #	Description	Qty
22	Flare Screw	1
23	Exagonal Screw	1
24	Exagonal Screw	1
25	Din - 128	1
26	Exagonal Bolt	2
27	Cylindrical Screw	1
28	Belleville Spring	1
29	Trelleborg Ring	1
30	Trelleborg O-Ring	1
31	Trelleborg O-Ring	1
32	Guiding Ring	1
33	Trelleborg Ring	1
34	External Nail	1
35	Internal Nail	1
36	Cylinder	1
37	Cylindrical Screw	2
38	Trelleborg O-Ring	1
39	Claw	1
40	Trelleborg O-Ring	1
41	Tie-Rod	2
42	Elastic Ring	2
43	Cylindrical Screw	1
44	Flat Washer	1
KIT	O-Ring Kit	