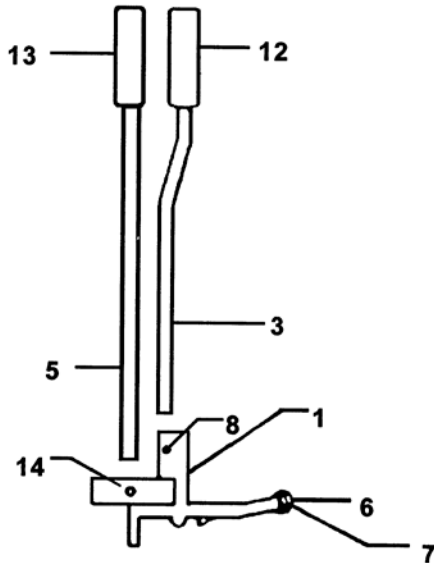


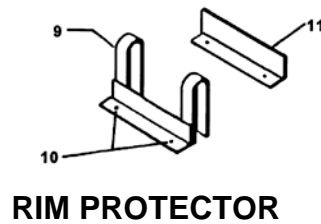


REPAIR PARTS SHEET

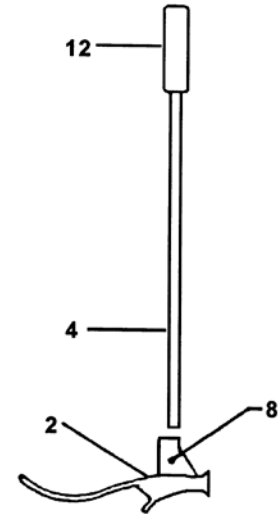
E-Z WAY TOOL 70100



TOP BEAD TOOL



RIM PROTECTOR



BOTTOM BEAD TOOL

No.	Description	Qty.	Part No.
1	Top Bead Tool Head	1	70104
2	Bottom Bead Tool Head	1	70105
3	Handle (curved, top bead tool)	1	70106
4	Handle (bottom bead tol)	1	70107
5	Handle (straight, top bead tool)	1	70108
6	Roller	1	70109
7	Bolt (1/4 – 20 x 4 w/nut)	1	70110
8	Tool Pin	2	70111
9	Rim Protector Bracket	1	70112
10	Screw (#8 x 3/4 w/nut)	2	70114
11	Rim Protector Bracket Insert	1	70113
12	Handle Grip (8 in.)	2	70115
13	Handle Grip (6 in.)	1	70116
14	Bolt (5/16 x 1 1/2 w/nut)	1	70117

