



## Wheel dolly for agricultural and earth moving machinery

Easy and safe mounting, demounting and handling of large wheels on agricultural and earth moving machinery.



Capable of handling large wheels from 49" | 1250mm up to 94.5" | 2400mm in diameter and up to 41.3" | 1050mm in depth.

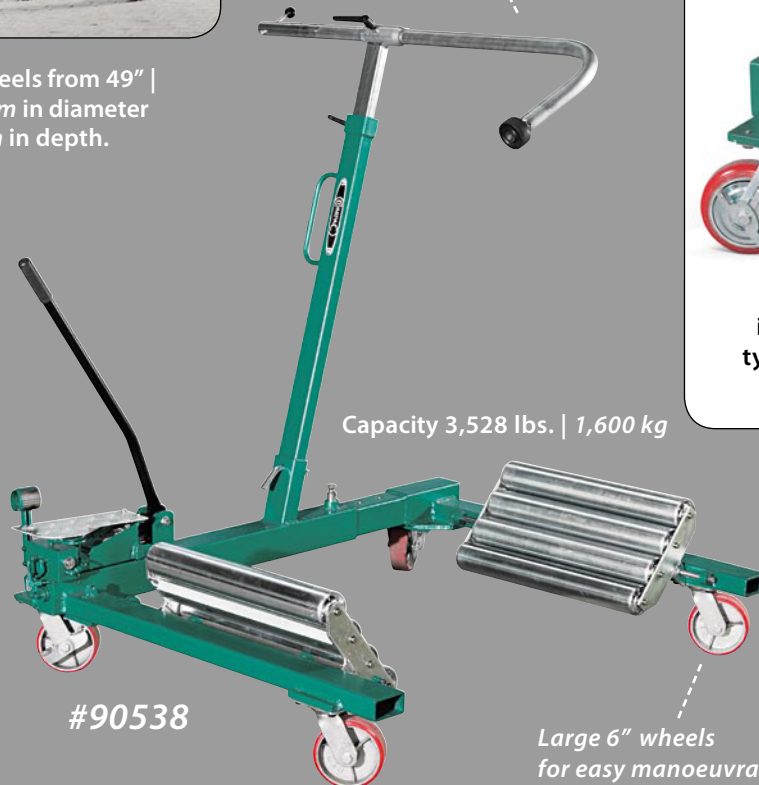


Double acting hydraulic system. Hands-free switch between lifting and lowering action. Safe and controlled lowering.

Top-point wheel connection rod keeps the wheel in safe balance.



2 x 4 large rollers improve handling of tyres with deep treads.



Capacity 3,528 lbs. | 1,600 kg

#90538

350 lbs. | 158 kg

Large 6" wheels for easy manoeuvrability.



Mobile: Easy to use outside the workshop. Disassembled in a few seconds.

