



EQUIPMENT SUPPLY COMPANY

INSTRUCTION MANUAL

ESC300 - DUAL AGRICULTURAL TIRE BEAD BREAKER

ESCO #10165



COPYRIGHT © 2022 EQUIPMENT SUPPLY CO., ALL RIGHTS RESERVED

Thank you for choosing ESCO tire service tools and equipment. We suggest you read this instruction manual thoroughly before using the product. Save this instruction manual for future use.

GENERAL SAFETY RULES



IMPORTANT RECEIVING INFORMATION

Visually inspect all parts for shipping damage. If you find shipping damage, notify the carrier at once. Shipping damage is not covered by your warranty. The carrier is responsible for all costs of replacement or repair caused by shipping damage.

DESCRIPTION

The ESC300 Dual Wheel Farm Tractor Tire Bead Breaker (model 10165) is designed to be used on dual agricultural tires to break inside bead on outside tires, eliminating the need to remove the tire off dual farm tractors. This unit is fitted with two scissor style arms that push the tire bead away from the rim with 10,000 lbs. of hydraulic force with a minimum operating area of 4 ½ inches and can expand as wide as 12 inches. The ESC300 Dual Wheel Farm Tractor Tire Bead Breaker also comes equipped with an easy positioning handle for better ergonomic use, as well as a 90-degree hydraulic coupler, keeping the hydraulic hose out of the way while trying to service the tire/wheel.



SAFETY INFORMATION

- To avoid personal injury or property damage while using this product, read and follow all DANGERS, WARNINGS, CAUTIONS, and INSTRUCTIONS that are attached to, or included with, this product.
- Follow the instructions of the tire manufacturer and the vehicle manufacturer when deflating, demounting, mounting, and inflating tires.
- These operating instructions do not apply to any specific rim. Therefore, contact the rim manufacturer for the correct procedure for your rim.
- For the publication, “Multipiece Rim Matching Chart” contact the United States Department of Labor, Occupational Safety, and Health Administration (OSHA), Washington, DC, 20210, 202-219-6091, or contact ESCO at 1-800-352-9852. If you are outside the U.S., contact your local government officials.

NOTE: ESCO cannot be held responsible for damage or injury resulting from unsafe use of this product; lack of maintenance; or incorrect product and system application.

Contact ESCO when in doubt about safety precautions or applications.

OPERATING INSTRUCTIONS



WARNING! Ensure that you read, understand and apply the safety instructions and warnings before use.



WARNING! Ensure that you have familiarized yourself thoroughly with the product and the hazards associated with its improper use.



WARNING! This product, as well as all Tire Tools, should never be used by persons unless they have been trained properly according to O.S.H.A. Regulation #29CFR 1910.177 entitled "Servicing Single-Piece & Multipiece Rim Wheels." Copy of the Regulation is enclosed or contact this manufacturer.

TO OPERATE TOOL

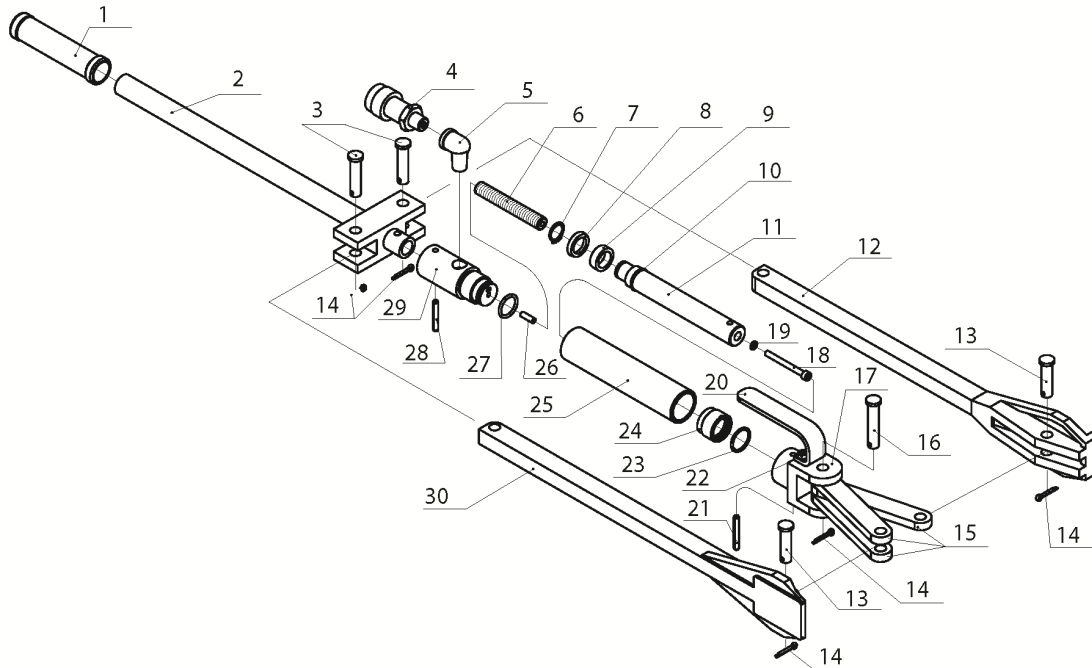
1. Jack the tractor up until the duals are clear of the ground. Place jack stands under the axle of the tractor and lower the tractor onto the jack stands.



DO NOT WORK ON TIRE/WHEEL ASSEMBLY WITHOUT JACK STANDS.

2. Deflate outside dual and evacuate any ballast that might remain in the tire.
3. Place the *Model 10165* tool between the duals with the bead breaking arm (with lip) faced toward the inside bead of the outside dual, place the tip of the tool against the side wall of the tire as close to the rim lip as possible.
4. Apply a small amount of pressure with the hydraulic pump, just enough to allow the side of the tool to contact the rim flange of the inside dual.
5. Position the bead breaker between the bead seat on the rim and the tire bead of the outside dual. Keep applying pressure with the hydraulic pump until the bead separates from the rim.
6. Rotate the tire wheel in small increments and repeat steps #3 and #4, until the bead is separated from the rim.

PARTS BREAKDOWN



Part No.	Description	QTY
1	Handle Sleeve	1
2	Handle Assembly	1
3	Pin 12 X 50	2
4	NPT 3/8" Female Coupler	1
5	NPT 3/8" Elbow Joint	1
6	Spring	1
7	Retainer 20	1
8	Y Seal	1
9	Cloth Ring	1
10	Snap Ring	1
11	Piston Ring	1
12	Leg A	1
13	Pin 12 X 45	2
14	Split Pin 4 X 20	5
15	Connection Strip	3

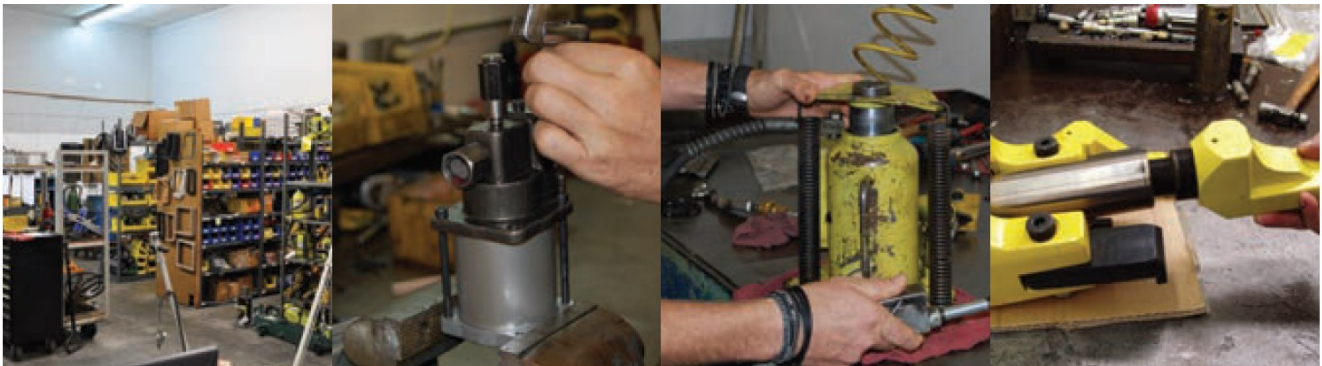
Part No.	Description	QTY
16	Pin 12 X 60	1
17	Joint Assembly	1
18	Screw M6 X 60	1
19	Copper Washer 10 X 6 X 1	1
20	Grip	1
21	Lock Pin 6 X 45	1
22	Screw M6 X 12	2
23	O-Ring 25 X 2.4	1
24	Guide Sleeve	1
25	Cylinder Housing	1
26	Screw M6 X 30	1
27	O-Ring 29 X 3.1	1
28	Lock Pin 6 X 40	1
29	Cylinder Base	1
30	Leg B	1

PARTS AND REPAIR SERVICE

GUARANTEED 1-Day Turnaround Service.

Received by ESCO - Repaired in 24 Hours - Returned to you!

- ESCO will pick up product for repair/warranty at your location.
- ESCO will guarantee Repair/Service for 30 days.
- ESCO has rental tools available
- ESCO repairs IMT, FEC, Stellar, Blackhawk, OTC, Power Team, Ame Int., & Enerpac hydraulic pumps, bead breaker, and cylinders.
- Authorized ESCO Repair & Warranty Centers Located through the US & Canada. For more information contact your ESCO sales representative.
- Technical Support Over the Phone Available by Calling 1-800-352-9852



Prompt, reliable service after the sale is very important to ESCO. ESCO maintains an in-house repair facility in Brooksville, Florida. To insure that our customers have as little down-time as possible, we offer a 1 day turnaround service. Our factory repair service is equipped with all the tools and machinery needed to repair your equipment quickly and affordably. Our trained technicians are the best in the industry. Not only do we service our own products, but we also service our competitors' products.

In addition to ESCO's 30 years of providing quality repair service, ESCO has reached out and partnered with more than 50+ hydraulic repair facilities across the US & Canada, to deliver quality repair and timely return of products. Visit www.esco.net or call 1.800.352.9852 to hear more about the newly added "Authorized ESCO Warranty & Repair Facilities" across the US.

If you have a bead breaker, ram, or hydraulic pump that needs repair, ESCO fixes your product with factory parts and guarantees the repair. In addition to servicing ESCO brand products, we also re-pair CP, IMT, Elrick, Branick, Goodyear, FEC, AME Int., and Haltec lines of hydraulic bead breakers, rams, pumps, jacks, and many other hydraulic tire service equipment.

WARRANTY

Products sold by Equipment Supply Company (ESCO) are warranted to be free from defects in material and workmanship under proper use, application, and maintenance in accordance with ESCO's written recommendations, instructions, and specifications for a period of 1 year (365 days) from the date of shipment to the end user, unless otherwise noted. ESCO's obligation under this warranty is limited to, and the sole remedy for any such defect shall be the repair or replacement (at ESCO's discretion) of unaltered parts returned to ESCO, freight prepaid, and proven to have such defect, provided such defect occurs within the 90-day warranty period (or otherwise noted) and is reported within 14 days of occurrence.

This is the only authorized ESCO warranty and is in lieu of all other express or implied warranties or representations, including any implied warranties of merchantability or fitness. Warranty claims must be submitted and be processed in accordance with ESCO's established warranty claim procedure. In no event will ESCO be liable for business interruptions,

PURCHASE DATE: _____

MODEL NO.: _____

SERIAL NO. (If Applicable): _____

NOTES:

Return to ESCO, 15270 Flight Plath Blvd. Brooksville, FL 34604

Or Visit www.esco.net/warranty

NOTES:



EQUIPMENT SUPPLY COMPANY

The Proper Tools To Keep Your Equipment **MOVING**



Scan this Code to Go to
the ESCO website

WWW.ESCO.NET

CONTACT INFO:

www.esco.net - info@esco.net

15270 Flight Path Drive

Brooksville, FL 34604

PH. 352.754.1117

Toll Free. 1.800.352.9852 (US, Canada Only) Fax: 352.754.4508



WARNING: Cancer and Reproductive Harm- www.P65Warnings.ca.gov

Stay Connected with ESCO....



Thank you for choosing ESCO tire service tools and equipment. We suggest you read this instruction manual thoroughly before using the product. Save this instruction manual for future use.