



# MOBILE COLUMN LIFTING SOLUTIONS

MAXIMIZE TECHNICIAN SAFETY AND PRODUCTIVITY

28,000 LBS. TO 60,000 LBS. CAPACITIES



## Portable Lifting Accessory Kits

Rotary mobile column lifts give you the power and flexibility to make your service repairs anywhere in the shop.

Get your service needs off the ground with mobile column lift options that allow for easy under-vehicle access



ENVIRONMENTALLY-FRIENDLY



PROUDLY MADE IN MADISON, INDIANA



### PORTABLE

Mobile systems require no dedicated floor space

### PRODUCTIVE

Reduce service costs and increase total uptime

### SAFE

Better access and visibility for inspections and repairs

### CONVENIENT

Easily stored and wheeled out of the way



# FORKLIFT RAMP KITS

## Service 4 and 3 wheel forklifts safely with less downtime.

Raise forklifts with a weight up to 18,000 lbs. with two mobile column lifts.\*

### PADDED RISERS PROVIDE SAFE, WHEELS-FREE CONTACT WITH FORKLIFT FRAME

The portable, open platform design easily attaches to the base of the two columns providing the height and clearance needed to safely lift and service Class II fork lifts. Fast and easy installation requires no anchoring to the shop floor. Use these kits in any area of the shop!

- Service motors, axles, wheels, tanks, hoses, drive trains
- Modular drive-on ramps
- Portable - kits break down for storage

Drive-on ramp kits use either two MCHM 219 FLEXMAX or two MCH 218 series column lifts.

Service to 4 and 3-wheeled forklifts with a weight of up to 18,000 lbs.\*

## M140124RD

Kit uses two mobile series columns to lift and service 4-wheeled forklifts

- Drive-on / Back-off operation

## M140153RD

Kit uses two mobile series columns to lift and service 3-wheeled forklifts

- Drive-on / Back-off operation




STORAGE CART  
ACCESSORY

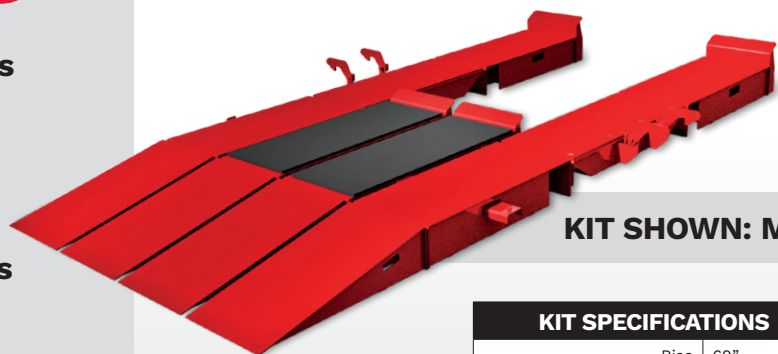
## M110175RD

For the storage and mobility of drive-on forklift ramp kits.



KIT SHOWN: M140124

 MCHM219U100 / 36,000 lbs. Capacity



KIT SHOWN: M140153

### KIT SPECIFICATIONS

Rise	69"
Column Height at Full Rise	144"
Width Overall	Adjustable
Length Overall	142"
Platform Height	6"
Runway Width	13 1/5"
Fork to Column Clearance	10"
Rise Time	68 seconds
Charging Voltage	110V Charger* 2.5 amps max.

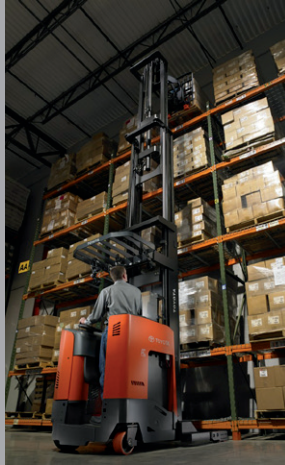
#### \*PLEASE NOTE:

Most 6,000 lbs. to 10,000 lbs. capacity forklifts weigh from 10,000 lbs. to 18,000 lbs. or less. Regardless, the forklift weight should always be verified before being lifted.

• Call factory for alternate voltage

# MATERIAL HANDLING PLATFORM KITS

**Lift your service with these material handling solutions.**



Frame-engaging lift adapters safely allow easy under-vehicle access to service reach trucks, narrow aisle fork trucks, and long fork pallet trucks.

## **BENEFITS:**

- Better access and visibility for inspections and repairs - raise forklifts up to 69" high
- Mobile systems require no dedicated floor space
- Stored and wheeled out of the way with storage cart

## **REDUCE SERVICE COSTS AND INCREASE FLEET UPTIME!**

Low profile platform kits provide a durable, robust platform for a forklift to easily drive up onto.

Adapter assembly engages truck forks and captures the forklift within itself for secure and safe lifting.

## **Inspection checklist:**

- Seal and tire replacement
- Static straps replacement
- Greater accessibility to steering arm assembly, casters and pins
- Drive unit replacement
- Frame failures or cracks



SCAN CODE FOR PRODUCT VIDEO

## **PT-M140182** **LIFTING PLATFORM KIT**

**10,000 lbs. CAPACITY**

- Requires two mobile column lifts
- Standard with wheeled storage cart
- Lifts sold separately



**Width of platform:** 72 1/4"  
**Overall width with latches open:** 92"  
**Overall depth:** 44 1/8"  
**Platform height:** 10 1/8"  
**Weight:** 880 lbs  
**Storage cart weight:** 220 lbs

Lift shown: MCHM214U100 with M140182 kit



POWERED BY  
**RedFire**

Service to double, triple, and quad, long fork powered pallet trucks



## **RT-M140181** **LIFTING PLATFORM KIT**

**12,000 lbs. CAPACITY**

- Requires two mobile column lifts
- Includes 1/2" and 3/4" leveling blocks
- Standard with wheeled storage cart
- Lifts sold separately



**Width of platform:** 87 3/4"  
**Overall width with latches open:** 107"  
**Overall depth:** 49"  
**Platform height:** 14 1/4"  
**Weight:** 880 lbs  
**Storage cart weight:** 220 lbs

Lift shown: MCHM214U100 with M140181 kit



POWERED BY  
**RedFire**

Service to reach trucks and narrow aisle fork trucks





# FRAME-ENGAGING CROSS BEAM KITS

Pick up buses, RVs and more with wheels-free, frame-engaging cross beam kits.

For Use with MCHM419 or MCHW418 Series Lifts



Shown: M140070 low profile cross beam with optional jack stands



Shown: FD2448 extra-wide drive-on ramp for wingplow trucks

## WARNING:

Never exceed rated capacity.

Refer to operating instructions supplied with lift for proper lifting procedures.

Operate mobile column lifts to desired height.

Always use safety stands as needed or when installing or removing heavy components.



## CAUTION:

Never use a bent or damaged crossbeam. Always have an authorized installer make any repairs or replacements. Crossbeams are not to be used as wheel engagement lifts. Do not change or modify the crossbeam in any manner.

## M140070YL LOW PROFILE CROSS BEAM KIT

SERVICE WHEELS AND TIRES

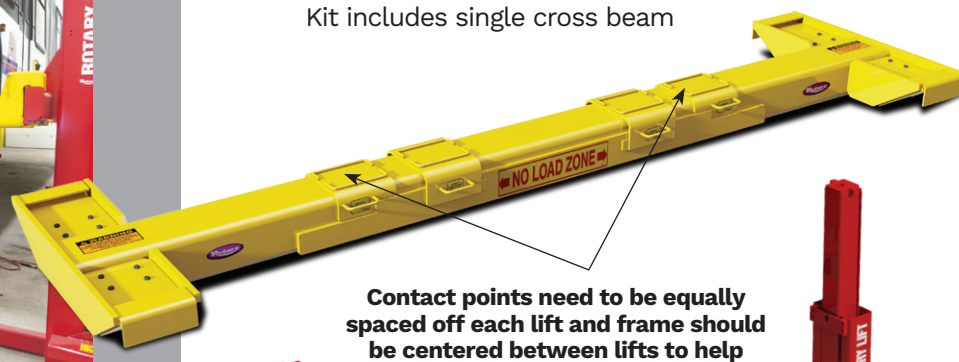
**30,000 lbs. CAPACITY**

at Maximum 49" Adapter Spread

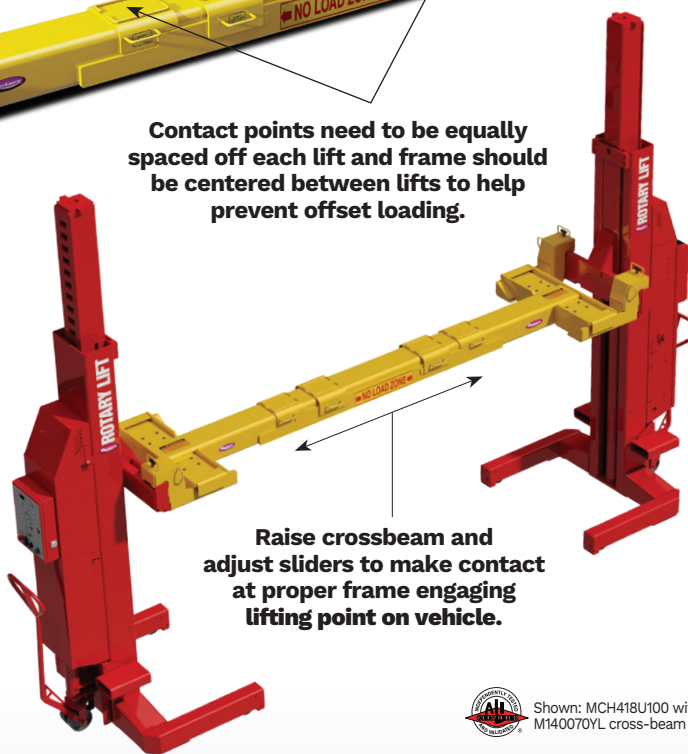
**21,000 lbs. CAPACITY**

at Minimum 25" Adapter Spread

Kit includes single cross beam



Contact points need to be equally spaced off each lift and frame should be centered between lifts to help prevent offset loading.

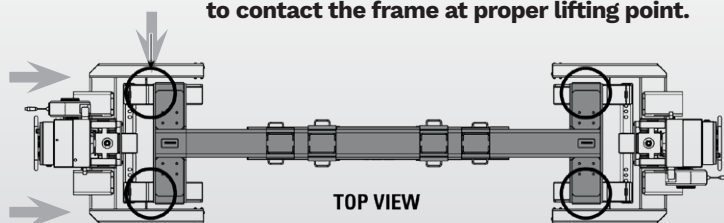


Raise crossbeam and adjust sliders to make contact at proper frame engaging lifting point on vehicle.



Shown: MCH418U100 with M140070YL cross-beam kit

Simply push crossbeam lift adapter into desired position under vehicle. Push the mobile column fork arms into beam ends completely until ends of crossbeam rest on the heel of the forks. Raise crossbeam and adjust to contact the frame at proper lifting point.



# ML41YL

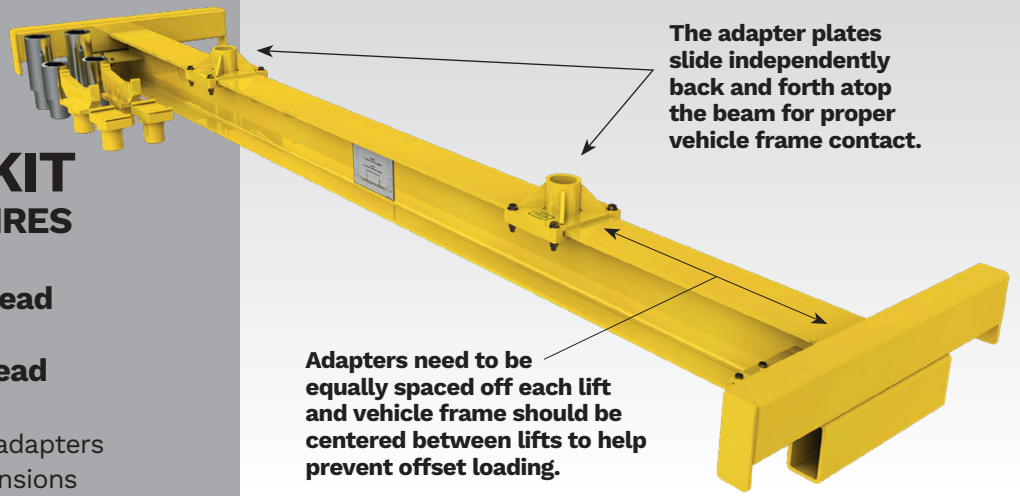
## SADDLE BEAM KIT

### SERVICE WHEELS AND TIRES

**32,000 lbs. CAPACITY**  
at Maximum 72" Adapter Spread

**24,000 lbs. CAPACITY**  
at Minimum 49" Adapter Spread

- Kit includes single cross beam
- Two (2) pairs of frame-engaging adapters
- Two each 5" and 8" adapter extensions
- Portable with built in wheel assembly



Raise crossbeam and adjust sliding adapters to contact the frame at proper lifting point.

*Adapters are for frame engagement only.*

## DRIVE-ON RAMP STYLE BEAM KITS

# FD2448KITYL

## EXTRA WIDE RAMP FOR WINGPLOW TRUCKS PICKUP

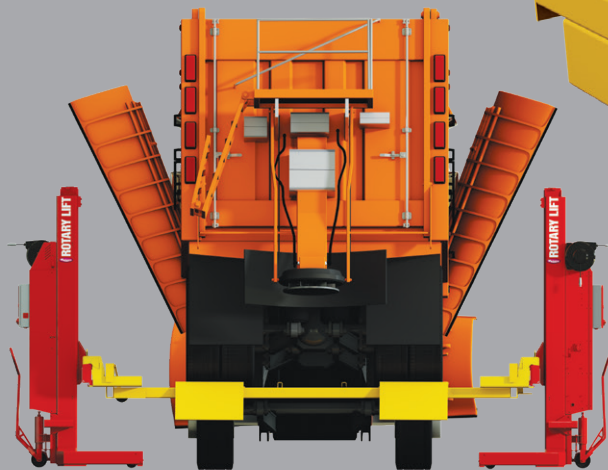
**28,000 lbs. CAPACITY**  
**154" Drive-Thru Width**

- Kit includes single cross beam



**DESIGNED TO SERVICE SNOW REMOVAL TRUCKS WITH WINGPLOWS**

**EXTRA WIDE DRIVE ON CROSS BEAM KIT with TOW HANDLE**



← EXTRA WIDE →

**154" DRIVE THRU FOR SNOW TRUCKS WITH WINGPLOWS**

# FD2353KITYL

## DRIVE-ON BEAM KIT FOR RV PICKUP

**22,000 lbs. CAPACITY / 130" Drive-Thru Width**

- Kit includes single cross beam
- 26" wide ramps with wheel chocks



# VERSATILE DRIVE-ON CONVERSION KIT

## M140015 MACH4 PLUS RUNWAY SYSTEM

For Use with MCHM19  
or MCHW18 Series  
Column Lifts

**60,000 lbs. CAPACITY**  
Runway Length: 33'

Convert your mobile  
column series lifts into  
a heavy duty drive-on  
lift for vehicle inspection,  
scheduled maintenance,  
and wheel service.

- Accommodate wheelbases up to 33' (396")
- Fully hydraulic operation
- Fast battery operation with controls at all 4 columns
- No 4 post cables or sheaves to maintain
- Includes airlines for optional rolling jacks and air tools



Shown: MCH418U100 with  
M140015 runway system

### SPECIFICATIONS: #M140015RD

Lifting Capacity	60,000 lbs. (27215kg) †
Runway Length	33' (396" / 10058mm)
Max. Rise / Floor to top of runway	78" (1981mm)
Length Overall	40' 7-1/2" (12382mm)
Width Overall - outside controls	15' 11" (4851mm)
Height of Columns when raised	144 - 3/4" (3677mm)
Width of Runways	28" (711mm)
Drive Thru Between Columns	11'-10" (3607mm)
Runway Spacing	45" (1143mm)
Rise Time	78 seconds
Ramp Angle	10 degrees
Power Usage	Battery powered Charges on 110V

† WITH MCH18 SERIES and FLEX MAX 19 SERIES LIFTS



Shown: MCH418U100 with  
M140015 runway system

## OPTIONAL RUNWAY LIFT ACCESSORIES

### Rolling Bridge Jacks

Air operated rolling bridge jacks can be attached to the runways creating additional lifting options for greater versatility.

**FOR 60,000 lbs. CAPACITY LIFTS**  
RJ25BK / 25,000 lbs. (11363 kg) with lock  
RJ30BK / 30,000 lbs. (13610 kg) with lock



### Portable Maintenance Jack Stands

RS20SYL / Screw-Type Adjustable  
56.1"-82.3" / 20,000 lbs. Capacity

RS2052SYL / Screw-Type Adjustable  
34.3 "-55.5" / 20,000 lbs. Capacity

RS20-VAYL / V-Shaped Adapter  
For 20K Jack Stands - 1 per stand



All jack stands meet the required ASME PASE-2014 safety requirements for portable service equipment.

Always use safety stands when installing or removing heavy components.

### Air Operated Tire and Wheel Lifts

Offers maximum maneuverability and adjustable lifting and lowering speeds. Provides technicians with responsive and easy positioning of the tire and wheel, easy alignment of the wheel and hub and a quick transfer to the wheel balancer. Includes air hose and auxiliary air tool connection.

MW-200 / 200 lbs. capacity  
MW-500 / 500 lbs. capacity



### LED Runway Lighting Kit

FA5700 / TECH LIGHT™ Line Light 4



Attach the four 54" light wands to runways for effective, efficient lighting where you need it.

**Lighting unit includes**  
60W power supply unit  
16' cable lengths  
8 magnetic suspensions  
120V AC input voltage at 60hz

### Drive-Thru Ramp Kit M140099RD / 10' Ramps

Adding a drive-thru ramp kit creates a quick and easy on-off service operation for service bays.



# FORE and AFT END LIFT KIT

## M140168YL WHEELS-FREE FRAME-ENGAGING END LIFT KIT

Lift Full Frame Vehicles  
With Two MCHM19, MCHW18,  
MCHM14, or MCH14 Columns

**37,600 lbs. MAXIMUM CAPACITY**  
**43" REACH - Widest in the Industry**



Standard with 3.5", 5", and 10" adapter extensions for greater reach.



**M110108BK**  
Optional storage cart for lifting kit

### SPECIFICATIONS: LIFT KIT #M140168

Column Configuration	2 columns
Capacity per Set	18,000 lbs.
Max. Rise / Floor to top of runway	69" (1760mm)
Fork to Column Clearance	10" (254 mm)
Adapter Reach	12" Narrow Position 43 1/2" Widest Position 9 1/2" Lowest Pickup Height
Speed of Rise	78 seconds OR 68 seconds



Shown: MCH418U100 with  
M140168 frame lift kit  
18,000 lbs. capacity lift

Service two  
vehicles at once  
using a single set  
of four columns.

Lift vehicles by the front and rear using stacking adapters

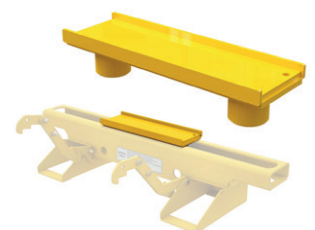


### OPTIONAL M140168YL ADAPTER ACCESSORIES

**M130242**  
BALL HITCH ADAPTER

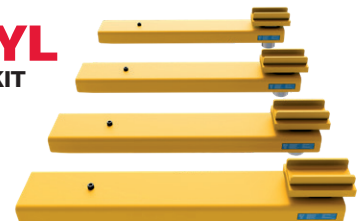


**M120651**  
WIDE CENTER ADAPTER



**M140180YL**  
CAB OFF ADAPTER KIT

Contains (4) adapters  
on extended arms  
and (4) ratchet straps



## OPTIONAL MOBILE LIFT ACCESSORIES

Contact the manufacturer for proper application

### M140112 / Locklight™ Safety Light / MCH Kit

Light indicates when lift is set on its locks. Compatible & retrofitable with DC versions of MCH13 and MCH18 columns.



M140112

### M140115 / Locklight™ Safety Light / MCH Kit

Light indicates when lift is set on its locks. For MCH columns with pressure gauges already installed.



M140115BK

### M140171BK / 24V DC LED Service Lamp Kit

Operates on column's battery power. Includes 2 lamps. Lights ensure workspace around the lift is well illuminated increasing safety



M140001RD

### M140001RD / Long Fork Kit for recessed wheels

Includes two 22" forks and two 8" leg extensions. Reduces capacity of column to 12,000 lbs. For 18K MCH and 19K Flex MAX Models

### M140041RD / Long Fork Kit for recessed wheels

Includes two 20" forks and two 8" leg extensions. Reduces capacity of column to 14,500 lbs. For 18K MCHW and 19K FlexMAX Models



M120304BK

### M120304BK / Large wheel adapter (per column)

Adapter allows lifting of vehicles with extremely large diameter wheels.

### M140157 / Analog Weight Gauge Kit

For MCHW / MCH Series Lifts



M140014

### M140014 / Service Chip

For standard wired and wireless MCHW lifts

### M140024 / Wireless Upgrade Kit

Add wireless communication to wired column.

## Portable Maintenance Jack Stands

### RS20SYL / Screw-Type Adjustable

56.1"-82.3" / 20,000 lbs. Capacity

### RS2052SYL / Screw-Type Adjustable

34.3"-55.5" / 20,000 lbs. Capacity

### RS20-VAYL / V-Shaped Adapter

For 20K Jack Stands - 1 per stand

All jack stands meet the required ASME PASE-2014 safety requirements for portable service equipment.

*Always use safety stands when installing or removing heavy components.*



## Air Operated Tire and Wheel Lifts

- Adjustable lifting and lowering speeds
- Responsive positioning of the tire and wheel
- Easy alignment of wheel and hub
- Quick transfer to the wheel balancer
- Includes air hose and auxiliary air tool connection

MW-200 / 200 lbs. capacity

MW-500 / 500 lbs. capacity



MW-500

MW-200

## Government Sales:

governmentorders@vsgdover.com

800.445.5438 X5655



FSS Contract No. G50729AAA



Formerly WSC-NASPO

Contract No. 05330



PART OF VSG a DOVER company

Rotary is the world leader in service bay solutions offering a broad range of equipment and accessories to make any service bay safer and more productive.

For a complete guide to our product offering or to contact your local distributor, visit us at [www.rotarylif.com](http://www.rotarylif.com) today.

If you need assistance or have questions, we're here to help

800.445.5438 / Sales: [insidesales@vsgdover.com](mailto:insidesales@vsgdover.com) / Support: [technicalsupport@rotarylif.com](mailto:technicalsupport@rotarylif.com)



## ROTARY

2700 Lanier Drive  
Madison, IN 47250, U.S.A.

Lit# Rotary MCH ACCESSORY Brochure.2023.08

©2023 VEHICLE SERVICE GROUP®  
All Rights Reserved. Unless otherwise indicated, ROTARY, VEHICLE SERVICE GROUP®, DOVER and all other trademarks are property of Dover Corporation and its affiliates. Printed in U.S.A.

Product specifications, part numbers, images and component descriptions are subject to change without notice or liability.